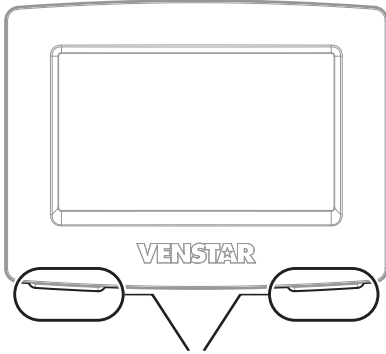
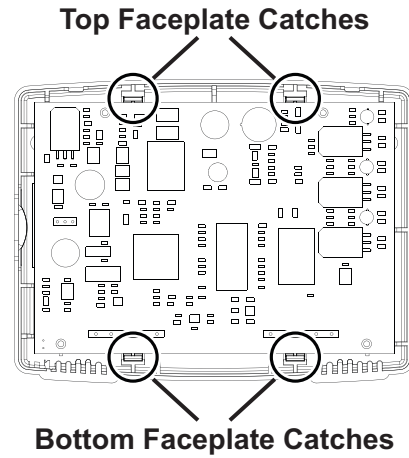


- 1. Remove the thermostat backplate. Using the Finger Pull Areas, pull the front housing away from the backplate.**

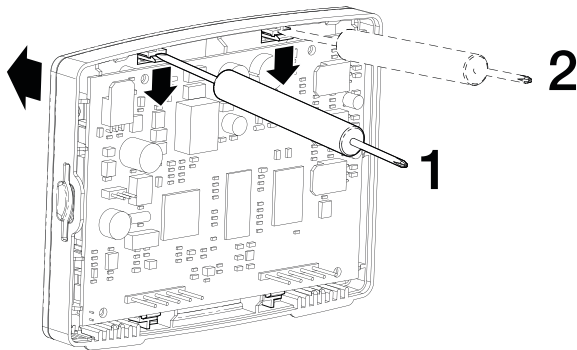


Look for these tabs to locate the pull areas

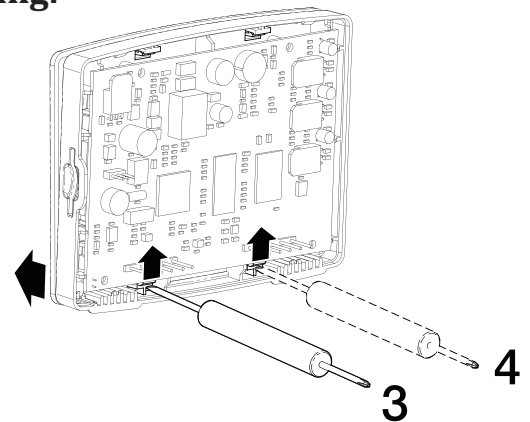
- 2. Note the location of the 4 catches that hold the faceplate in place.**



- 3. Using fingers or a screwdriver, pry the top set of faceplate catches loose and PUSH the faceplate forward slightly.**



- 4. After the top set of catches are loose, pry the bottom set of catches loose and PUSH the faceplate forward to detach it from the front housing.**



- 5. PUSH the new faceplate onto the front of the thermostat housing until all 4 catches are firmly in place. PUSH the thermostat housing back onto the thermostat backplate.**

