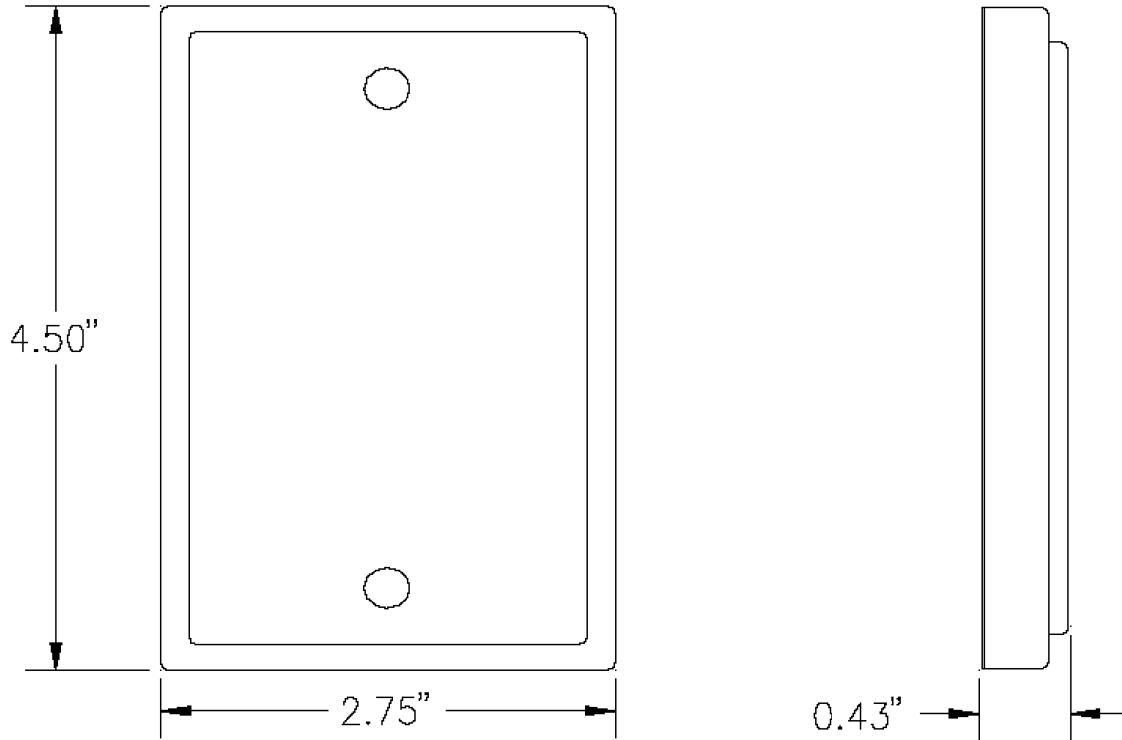


Venstar Indoor/Outdoor Temperature Sensor ACCTSEN



STANDARD FEATURES:

- Sensor is compatible with all ColorTouch and most Explorer thermostats
- When used as an indoor remote temperature sensor it can be set to control, monitor or average with the thermostat
- When used outdoors this sensor will provide outside temperature information (which is not used to control heating or cooling)
- Use 18 – 22 gauge 2 conductor unshielded thermostat wire
- Maximum distance between sensor and thermostat is 200ft
- Measurement range is -40F ~ 131F

MODEL:	ACCTSEN	QUANTITY:	DATE:
JOB NAME:			
LOCATION:			
BUYER:		BUYER P.O.#:	
ENGINEER:			