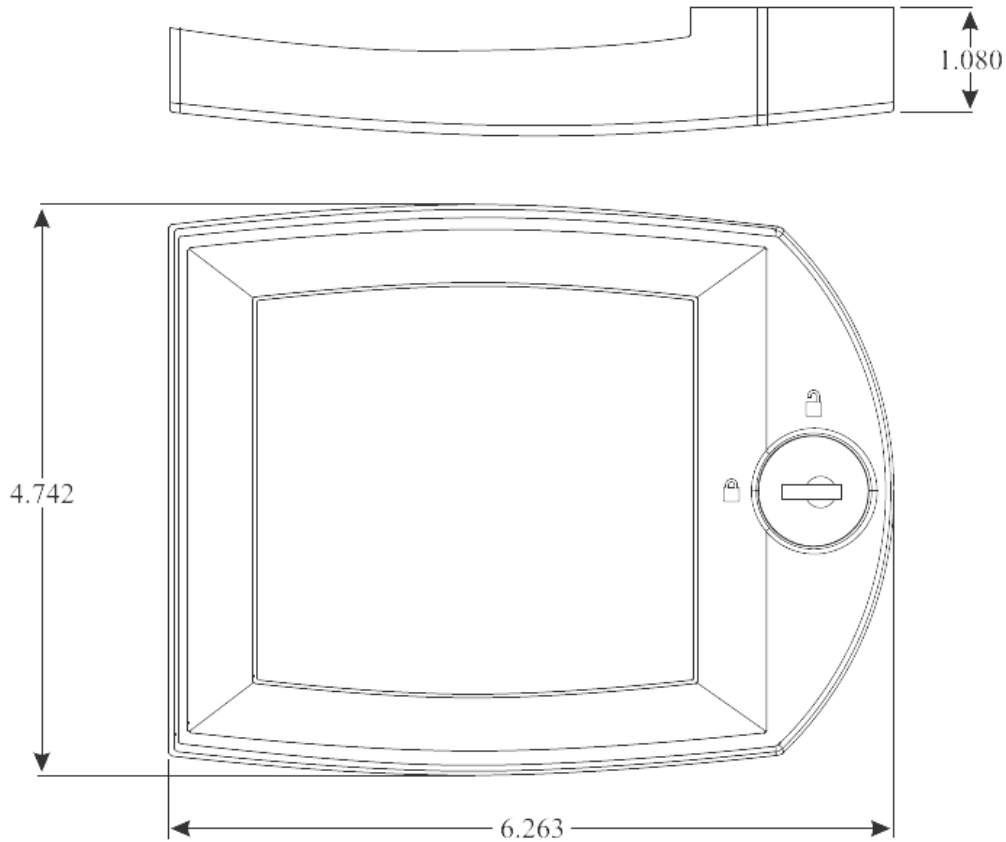


# Venstar Thermostat Locking Cover ACC0620



**STANDARD FEATURES:**

- Locks thermostat to the wall
- Prevents the door from opening
- Override, Up/Down buttons accessible on commercial thermostats while using locking cover
- Thermostat security settings allow limited or no button use
- Supplied with 2 locking cover keys
- Designed for easy slip on/off installation and requires no tools
- Plastic material
- Textured cover
- Designer white color
- Thermostat does not need to be removed or any wiring disconnected to install
- For use with Venstar Slimline Platinum thermostats

MODEL:	ACC0620	QUANTITY:		DATE:		
JOB NAME:						
LOCATION:						
BUYER:				BUYER P.O.#:		
ENGINEER:						