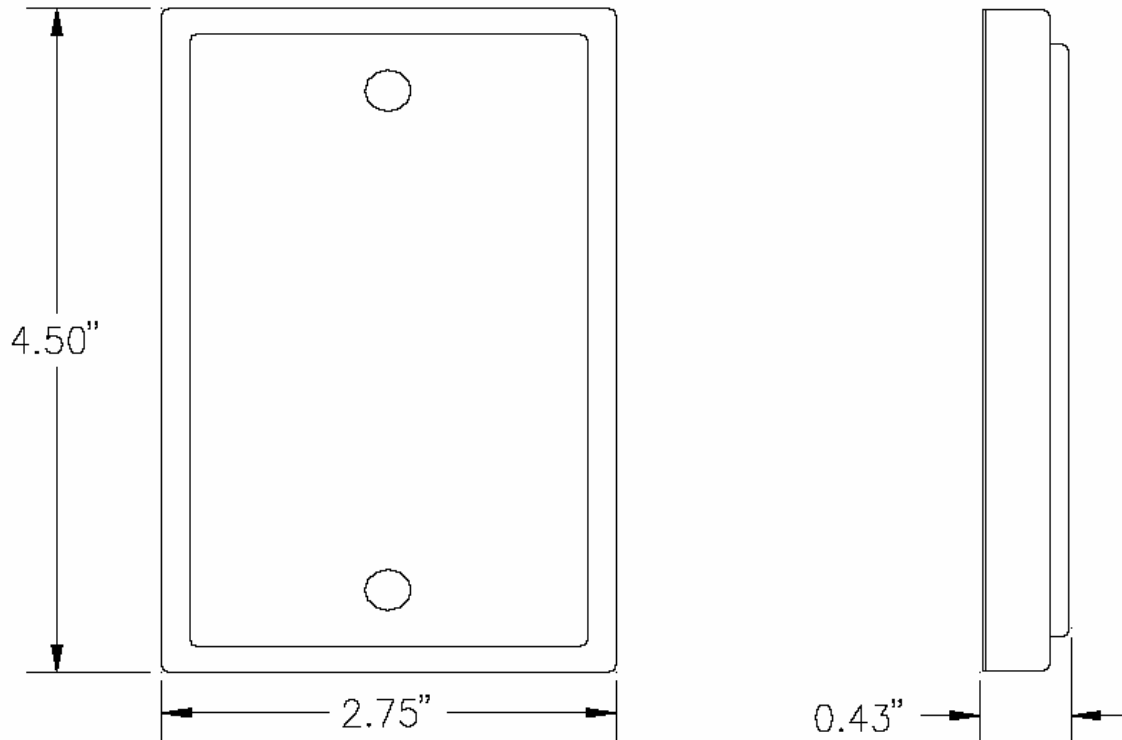


Venstar Outdoor Temperature Sensor ACC0400



STANDARD FEATURES:

- Sensor can be used to measure indoor or outdoor air temperature.
- If used indoors as a remote temperature sensor, the sensor will read room temperature and send the information to the thermostat.
- If used outdoors, the sensor can be used to provide outside temperature information (which is not used to control heating or cooling).
- Acceptable Wire Types: CAT5, CAT5e, or CAT6 network communication cable, unshielded with 4 twisted pairs of 24 gage solid wire
- Maximum distance between sensor and thermostat using 24 gauge wire — 250 ft

| | | | |
|-----------|---------|--------------|-------|
| MODEL: | ACC0400 | QUANTITY: | DATE: |
| JOB NAME: | | | |
| LOCATION: | | | |
| BUYER: | | BUYER P.O.#: | |
| ENGINEER: | | | |