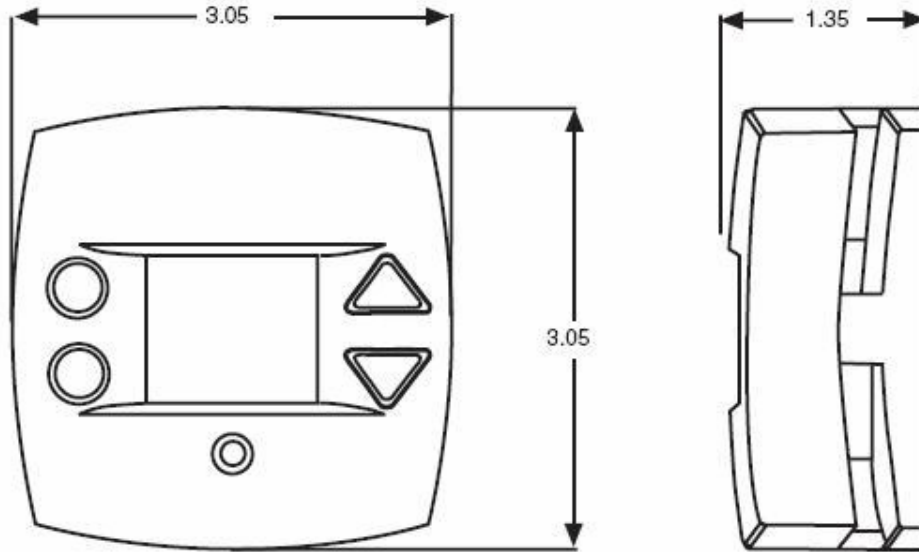


Venstar Programmable Thermostat T1010



STANDARD FEATURES:

- 1-day programmable with up to 4 time periods.
- Auto Changeover, 2-Stage Heat/2-Stage Cool for use with gas/electrics, heat pumps, electric & hydronic heat.
- Dual-Setpoint with adjustable deadband, setpoint adjustment range from 35° to 99° F, switchable to °C.
- Thermostat Locking - Set points can only be adjusted by authorized individuals if this feature is turned on.
- Thermoglow Continuously Lit Electro-luminous Display.
- Configurable display capable of single OR dual- setpoint operation.
- Display shows both heating and cooling setpoints and room temperature simultaneously.
- Maintains temperature to within 1° of setpoint.
- All programming and setpoints stored in non-volatile memory, and are never lost in power failure.
- Attractive ultra-white design.
- Backplate available for replacement applications (Venstar part number ACC0421).
- Red/Green LED shows whether thermostat is calling for Heating or Cooling.
- 5 minute compressor time guard and adjustable cycle limit, both overrideable for servicing equipment.
- Extremely simple to operate with extra large display and large, soft buttons.
- Meets Title 24 for Residential Applications.

MODEL:	T1010	QUANTITY:		DATE:	
JOB NAME:					
LOCATION:					
BUYER:				BUYER P.O.#:	
ENGINEER:					