

THE WIRELESS REMOTE SENSOR SYSTEM IS MADE UP OF ONE RECEIVER AND AT LEAST ONE WIRELESS SENSOR.

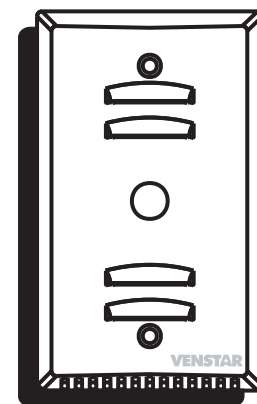
- Up to 8 Wireless Sensors may be used with 1 Receiver (Unit ID# 0 - 7).
- The Receiver automatically averages the temperatures from up to 8 Wireless Sensors on the same House Code and reports the average to the thermostat.
- The Receiver will only 'listen' to Wireless Sensors with the same House Code as the Receiver, and will 'ignore' sensors with different House Codes than the Receiver.
- If more than 1 Wireless Sensor is used with 1 Receiver, then all Sensors and the Receiver must have the same **House Code** for proper operation.
- If more than 1 Wireless Sensor is used with 1 Receiver, then each Sensor must have a different **Unit ID**.

SUGGESTED USES FOR ONE WIRELESS REMOTE SENSOR:

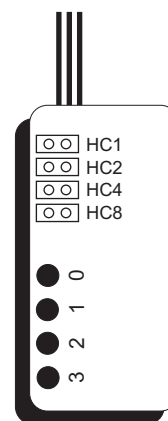
- To report the outdoor temperature when using a compatible residential thermostat. *It is recommended to attach the Wireless Sensor to a north-facing wall where it will not be in direct sunlight or the spray of sprinklers.*
- To report the temperature of a room, such as that of a baby's room when using a compatible residential thermostat.
- To control to or read to the temperature at the return duct when using a compatible commercial thermostat.
- To control the temperature in a space that is different from where a compatible commercial thermostat is located.

SUGGESTED USES FOR MULTIPLE WIRELESS REMOTE SENSORS:

- To control to the average of multiple Wireless Sensors in a large open space using a compatible Commercial thermostat. This type of application would include large, open office areas.



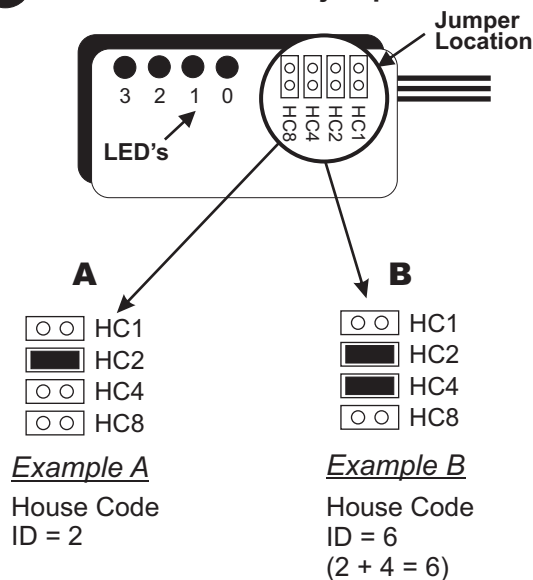
WIRELESS REMOTE SENSOR
with Override button
MODEL ACC0414RF



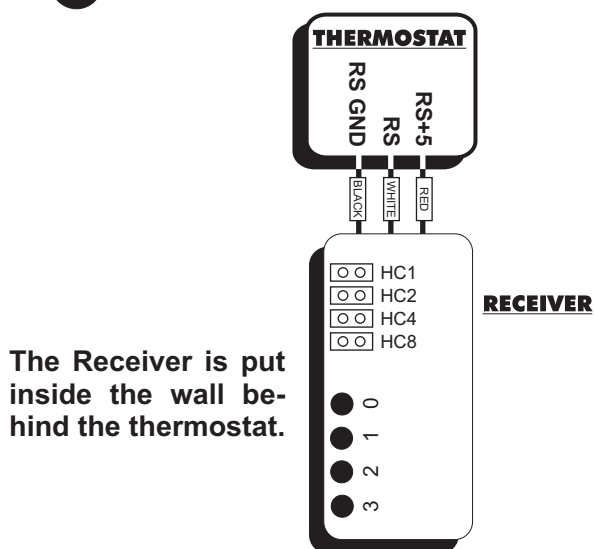
RECEIVER
MODEL ACC0414REC

Receiver Setup & Installation

1 Set the House Code jumpers on the Receiver



2 Connect the Receiver to the thermostat

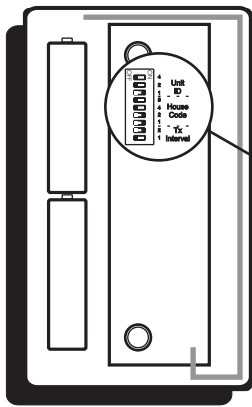


THE WIRELESS SENSOR CAN TRANSMIT THE TEMPERATURE IN ONE OF FOUR SELECTABLE TIME INTERVALS:

- **Every 5 Seconds** – This setting is most useful for Indoor Remote Sensor applications where fast response is needed; such as Remote Duct or Room Sensor applications.
- **Every 2 Minutes** – This setting is used for Indoor Remote Sensor applications where a moderately fast response is needed; such as Remote Duct or Room Sensor applications.
- **Every 5 Minutes** – This setting is also used for Indoor Remote Sensor applications under normal circumstances. At this setting battery life expectancy is approximately 3 years.
- **Every 10 Minutes** – This setting is used for Outdoor Temperature reading for use with residential thermostats. With this setting battery life expectancy is at its longest.

Wireless Sensor Setup & Installation

1 Set the switches on the Wireless Sensor



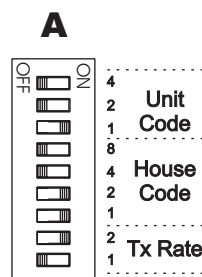
WIRELESS REMOTE SENSOR
Switch Location

All switches in the OFF position = 0.
ADD all switches in the ON position
to arrive at the proper setting.

The House Code must match the
House Code setting on the Receiver.

Transmission Interval (Tx Interval)

- 0 = 5 Seconds
- 1 = 2 Minutes
- 2 = 5 Minutes
- 3 = 10 Minutes

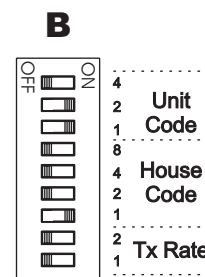


Example A

Unit ID = 1

House Code = 3
(1+2 = 3)

Tx Interval = 5 min.
(2)



Example B

Unit ID = 3
(1 + 2 = 3)

House Code = 1

Tx Interval = 5 sec.
(0)

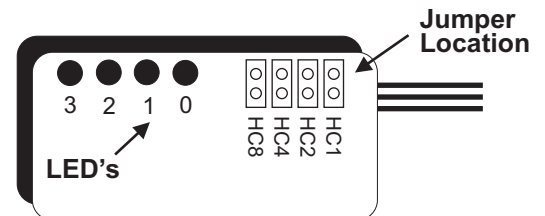
2 Attach the Wireless Remote Sensor to the Wall.

Use the supplied screws to secure the Wireless Sensor to the wall.

Care must be taken when installing on to a J-Box to avoid drafts from behind the Sensor.

Troubleshooting & Diagnostics

- Use only Lithium AA Batteries. Voltage should be 3.1 - 3.6vdc.
- Make sure the Receiver & Sensor use the **same** House Code #.
- The Receiver has 4 LEDs. The LEDs correspond to Unit ID# 0 - 3. When the Receiver receives a valid temperature from a Wireless Sensor, the corresponding LED will blink and stay on until the next valid transmission. If a valid transmission is not received within 15 minutes, the LED will turn off.
- The Receiver can receive and average up to 8 different Unit ID's on the same House Code, but the LEDs will only indicate the first 4, (#0 - 3). The LEDs are included as a diagnostic tool to confirm reception.
- The temperature range of the Wireless Sensor is -20° to 127° Fahrenheit.



This device complies with Part 15 of the FCC Rules. Operation is subject to the following two conditions:

(1) this device may not cause harmful interference, and (2) this device must accept any interference received, including interference that may cause undesired operation.